



SKIOLD DISC MILL SK2500



SKIOLD MAKES THE DIFFERENCE!

SKIOLD DISC MILL SK2500

Optimal feed structure for all animal groups

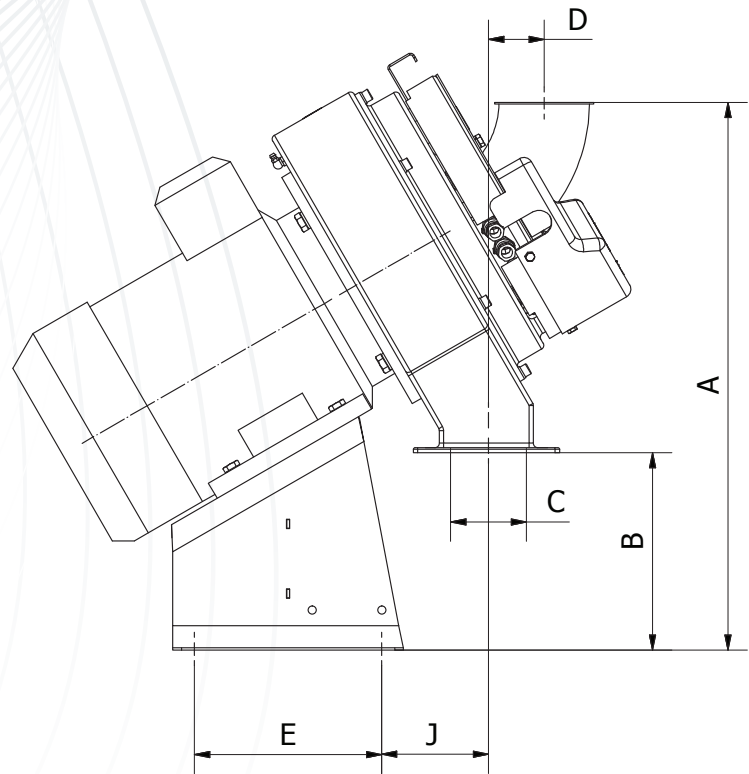
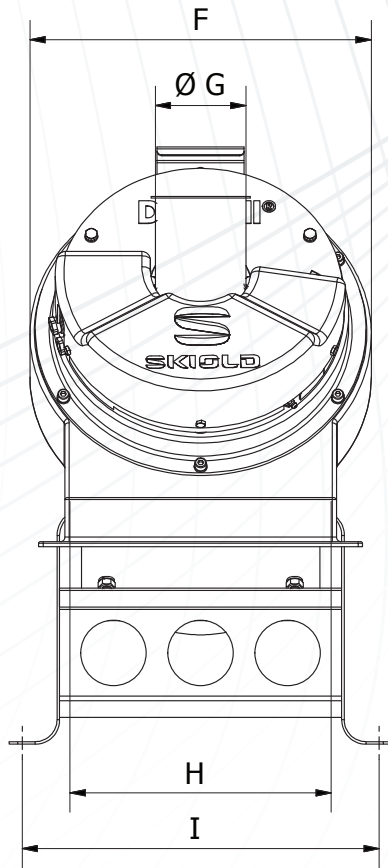
Exceptional durability on wearing parts

Low power consumption

Capacity up to 2 t/h

Quiet running

SKIOLD DISC MILL SK2500



MEASURE SKETCH

	A	B	C	D	E	F	G	H	I	J
5,5 kW	630	227	87	60,5	215	392	150	300	410	123
7,5 kW	630	227	87	60,5	215	392	150	300	410	123

TECHNICAL SPECIFICATIONS

	SK2500
Motor	5,5 / 7,5 kW 2800 rpm
Disc diameter (external)	300 mm
Distance regulation	Manual / Automatic
Noise level	Approx. 80 dB
Shipping weight	144 - 150 kg

CAPACITY

Cereal	5,5 kW	7,5 kW
Barley	700-1400	1000-1900
Wheat	750-1500	1000-2000
Maize	500-1500	700-2000
Oats	600-1000	800-1300
Peas	500-1500	750-2000

In storage dry and well cleaned crops, max. kg/h .
The capacity depends on the grinding fineness

The disc mill may be used for grinding of ordinary cleaned small-grained seed crops in storage dry condition and with a maximum diameter of 8 mm. Wheat, barley etc. can furthermore be ground from air tight silo with up to 25% moisture content. However, please note that the capacity is reduced by approx. 5% for each percentage of moisture content higher than 15% - for example 18% moisture content reduces the capacity by $(18-15) \times 5 = 15\%$.

The disc mill is also suitable for granulation of clean pelleted feed products, and wood pellets, with a pellet diameter of up to \varnothing 12 mm.